

# Laundry Range





# SUZOHAPP

SUZOHAPP is a technology company providing software and hardware for cash handling automation and self-service solutions to more than 25,000 customers throughout the world. SUZOHAPP's technology enables automation for customers operating in a variety of end markets including retail, transportation, gaming, banking, vending and amusement. SUZOHAPP's solutions include cash deposit, recycling, processing and payment systems as well as a broad range of self-service component technologies. SUZOHAPP's more than 1,100 employees operate in 18 countries and dealer network covers more than 100 countries. The brands of SCAN COIN, Comestero and CashComplete™ are united under the SUZOHAPP Company.


SUZOHAPP's mission is to provide its customers with excellent service and high quality components, solutions, and software that create significant value for their business. The company vision is to become the global market leader by being true to its core value of growth through the investment in people and innovation and so providing market-leading solutions for all the customers in all the markets throughout the world.

SUZOHAPP is owned by affiliates of ACON Investments, L.L.C., a Washington, D.C.- based international private equity investment firm that has responsibility for managing approximately \$4.4 billion of capital.




 **34 FACILITIES**  
**18 COUNTRIES**

 **1,100+**  
**EMPLOYEES**

 **115 ENGINEERS**

 **50,000+**  
**PRODUCTS**

 **5,000+ SOLUTIONS**  
**6M+ DEVICES**

 **25,000+**  
**CUSTOMERS**





## Index

Laundry PRO	page 6
Laundry Point	page 8
MyLaundry	page 10
MyService	page 12
MyScan	page 14
MyPOS	page 15
Dual Coin PRO	page 16
Easy Charge	page 18
RM5 HD	page 20
RM5 Evolution	page 22
Currenza C <sup>2</sup>	page 24
EuroKey Next	page 26
WorldKey	page 28
Easy Pay	page 32
Recharging Box	page 32

# Laundry PRO

## Innovation at hand

Laundry PRO is the innovative automatic cash point designed for self-service laundrettes. Thanks to its advanced functions, Laundry PRO is an excellent resource for managers and end users: managers can easily increase their business, whereas the users will gain in terms of speed and efficiency. Thanks to its wide touch display, it's possible to easily manage up to 40 washing or drying machines.

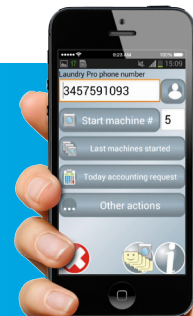


## Features

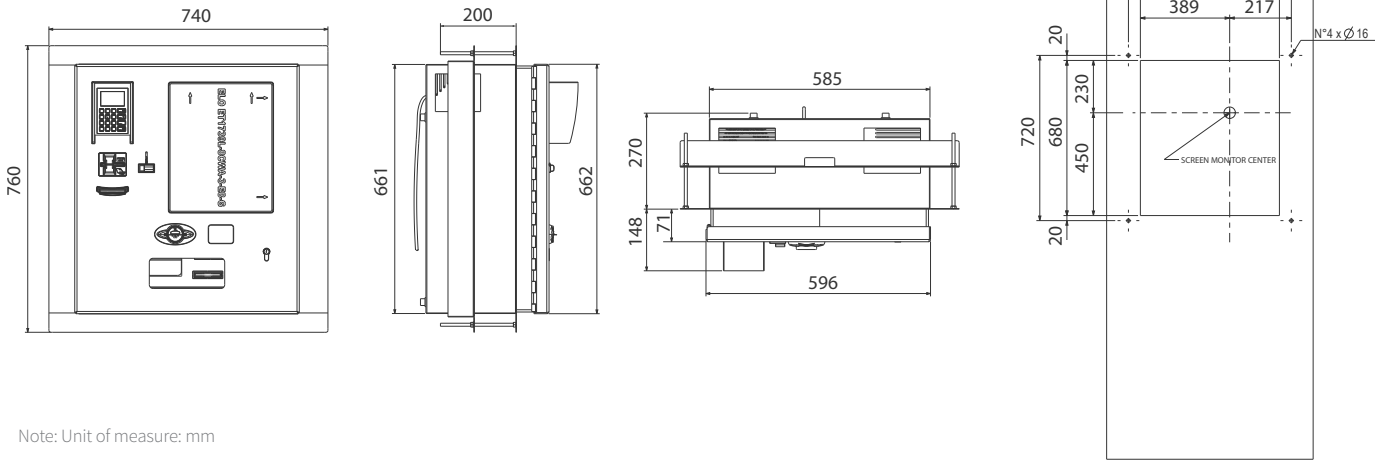
- Simple and intuitive user interface consisting of a convenient 17" tamper-proof touch screen
- Cash and cashless payments by fidelity cards or credit cards
- Large range of contactless bank card payment systems available as option
- Change return
- Microchip or contactless cards for dispensing cashless payments
- Optional built-in QR-code reader for managing large scale promotional campaigns to increase the turnover
- Optional built-in thermal printer
- USB port for importing and exporting accounting data, configuration parameters and all cash point events
- RS485 interface for connecting one or more 3BIO boards to control 3 washing machines or 3 drying machines
- On-field programming or remote programming, through LogMeln software
- UPS
- Different installation modes: wall-mount through the provided bracket, or recessed thanks to the optional flange

### Laundry PRO offers maximum flexibility

- ✓ LogMeln software enables remote managing and programming
- ✓ The specific App for Android can activate the machine and process the data, possibility to receive emails and SMS messages to be always up-to-date
- ✓ Thanks to the optional QR-code reader, you can set large scale promotional campaigns and targeted pricing policies



# Technical Schematics



Note: Unit of measure: mm

## Function utility

### User-friendly experience

The wide 17" touch display enables quick and easy access the washing or drying machine

### Simple maintenance

Through the back door it's possible to empty the hopper, the banknote reader and the cash point. Possibility to charge the card dispenser and change the paper in the thermal printer (where present)

### Discount, promotion and bonus management

Efficient management of discounts and promotions to increase customer retention through charging bonuses, discounts in the event of cashless payment and for groups of users in certain time slots. A barcode can be added to the receipt to allow the user to take advantage of limited time promotions during a set period of time

## Installed peripheral devices

- RM5 HD electronic coin validator
- NV9 USB banknote reader
- Multi-coin hopper
- Microchip card reader

## Optional peripheral devices

- Microchip and contactless card dispenser
- Barcode and QR-code reader
- Receipt printer
- Modem
- Mifare® card reader
- POS
- Compatible with most of the contactless bank card systems

## Tools

### Laundry Manager

Software for PC for a simple and instant report on the progress of the laundrette (daily summary of receipts, preparation of graphs and sales statistics)

### Pendrive Data Handler

Software to improve the performance of the Laundry PRO cash point

## Optional accessories

- Flange for recessed installation
- 3BIOVEL boards
- Customisable graphic label by quantity



Nayax reader



Ingenico contactless reader IUC180



P68 reader

## Technical specifications

## Machine alone

## Wall recessed machine

Dimensions (LxHxD)	595,5 x 661,5 x 337 mm	740 x 760 x 353 mm
Weight	68 Kg	83 Kg
Supply voltage	230 Vac	230 Vac
Absorbed power	350 W	350 W
Operating temperature	10 °C ÷ 50 °C	10 °C ÷ 50 °C

# Laundry Point

## A profitable choice for self-service laundrettes

Designed to offer the self-service laundrettes a high-quality centralised cash point at an extremely competitive price. It manages up to 12 different washing machines and dryers. Operations are very simple and intuitive, thanks to the user interface and the 4 function buttons. Laundry Point offers great payment flexibility, accepting both cash and cards thanks to its installed peripherals.

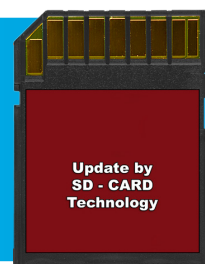


## Features

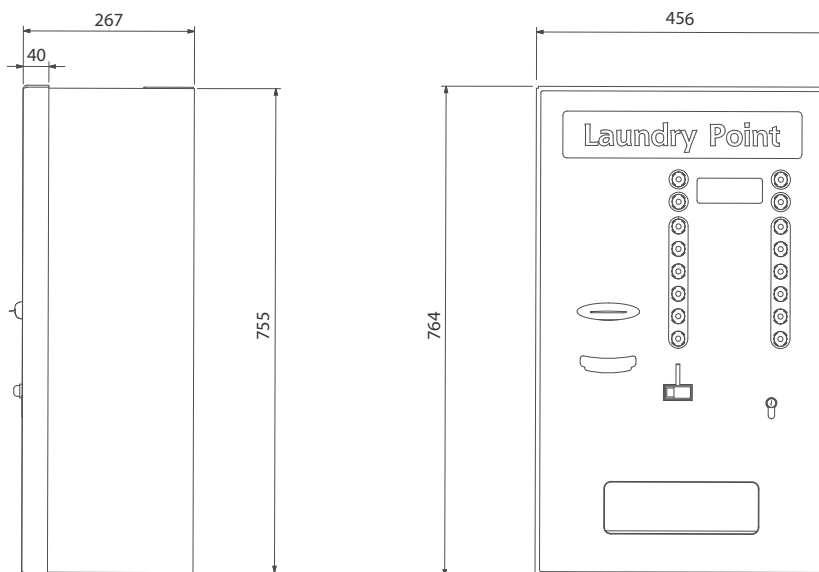
- Back-lit function keys, buttons, payment systems and change collection compartment, for easy identification
- Front door protected by a 3-point closing lock
- Cash point functions accessible via 3 types of cards (activation, management and user)
- Installation: wall mounted through the provided bracket, or recessed by using the optional flange
- RS485 interface to connect the available BIO boards:
  - single BIO to control 1 washing machine or dryer
  - 3BIO to control 3 washing machines or dryers
- If the machine is not available, the display transmits a busy signal
- Programming: on-field, using the wide display and the 4 function buttons, after inserting the management card
- SuiteConfig, new configuration program via PC

Removable SD-card to perform different operations:

- ✓ Importing of configuration data
- ✓ Exporting of accounting data, configuration parameters and system events log
- ✓ Automatic firmware updating



## Technical Schematics



Note: Unit of measure: mm

### Tools

#### SuiteConfig

Innovative program to configure the machine:

- complete development and configuration of all options
- messages personalisation
- importing/exporting of accounting and configuration data through SD-card, GPRS modem or web

### Installed peripherals

- RM5 HD electronic coin validator
- NV9 USB banknote reader
- Microchip card reader
- Multi-coin hopper
- SD-card

### Optional peripherals

- Card dispenser

### Optional accessories

- Flange for recessed installation
- Microchip cards
- BIO boards
- 3BIO boards
- Modem
- Customisable graphic label by quantity

## Technical Specifications

Dimensions (LxHxW)	456 x 764 x 267 mm
Weight	50 kg
Power consumption	120 VA
Operating temperature	10 °C - 50 °C
Power supply	230 Vac

# MyLaundry

## Mifare® technology for self-service laundrettes

Based on the WorldKey cashless system, MyLaundry combines all the benefits deriving from Mifare® technology with the safety and reliability of the installed peripherals. Suitable for managing up to 32 different washing machines and dryers.



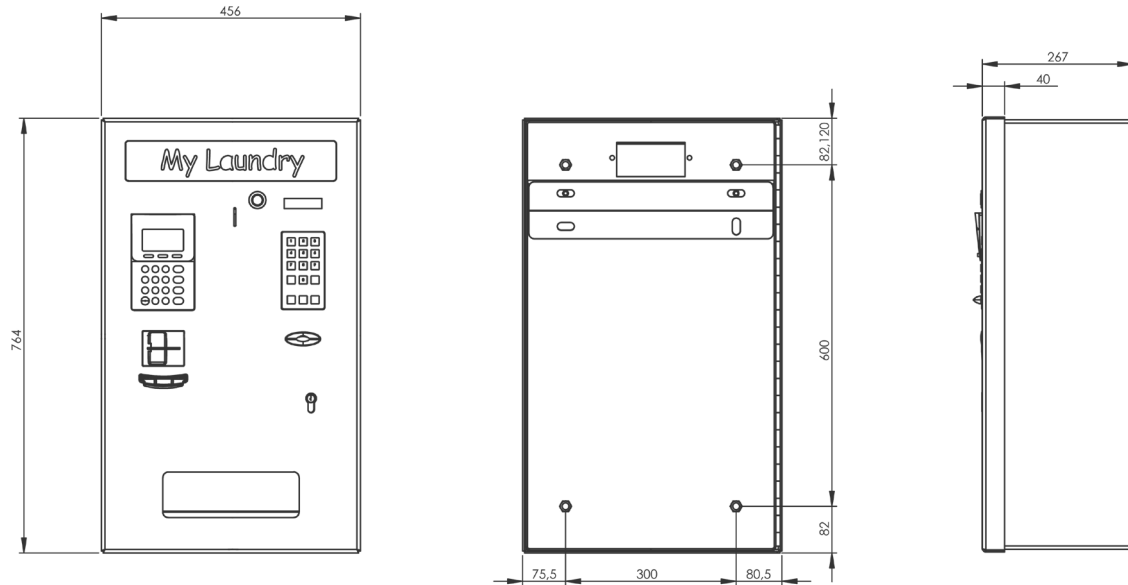
### Features

- Simplified user interface: alphanumeric display and keyboard
- Currenza C<sup>2</sup> coin recycler: modular 6-tube cassette system with big coin capacity
- NV9 banknote reader with 300 banknote stacker
- Optional Credit card reader
- Mifare® card/key reader to manage bonuses, happy hours and promotional campaigns to increase customer loyalty
- Ethernet connection for programming and accounting management
- Evolved machine interface:
  - KPM to control 4 appliances (up to 16 washing machines or dryers)
  - RIO to control 8 appliances (for 4 interfaces and up to 32 washing machines or dryers)
- Front opening locking door
- Locking cash compartment
- Installation: wall-mounted through the provided bracket, or recessed by using the optional flange

- ✓ MyLaundry offers a variety of payment options and comes with a practical and secure keyboard
- ✓ The user can pay with cash, by credit/debit card or with the WorldKey range of cards, keys or tags
- ✓ Compatible with most of contactless cards in the market



## Technical Schematics



Note: Unit of measure: mm

### Tools

#### UNICO configuration program

Software suite which includes programs for audit data collection and management (according to EVA-DTS standard or Windows Excel), operating parameter programming and key/card/tag management

### Installed peripheral devices

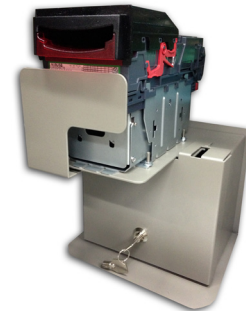
- Currenza C<sup>2</sup> coin recycler
- NV9 USB banknote reader
- WorldKey cashless system with Sky reading head
- 2 KPM boards for the management of 8 machines with “busy” signal

### Optional peripheral devices

- Compatible with most of the contactless bank card systems
- EMV 5.2 Banksys Xenteo credit card reader
- Thermal printer
- Additional KPM boards to manage 12 or 16 machines with “busy” signal
- RIO boards to manage 24 or 32 machines with “busy” signal

### Optional accessories

- Flange for recessed installation
- Customisable graphic label by quantity



- ✓ Cash box coin capacity 1.000 pieces overall
- ✓ Banknote reader with 300 banknote stacker

### Technical specifications

Dimensions (LxHxP)	456 x 764 x 267 mm
Weight	50 kg
Supply voltage	230 Vac
Power consumption	120 VA
Operating temperature	5 °C ÷ 50 °C



# MyService

## Payment box to manage up to 6 different programs or services

Thanks to the EuroKey Next cashless system and the RM5 HD coin validator, MyService guarantees security, flexibility and innovation. Suitable for the payment automatization of several timed services (such as service areas, self-service, laundries, sport and tourist facilities, public services and timed lighting) and for managing sales and identification applications. Also available with WorldKey cashless system for advanced accounting management.



### Features

- Sturdy anti-vandal and waterproof cabinet, weather agents protection
- High safety lock
- Automatic service activation through cards, keys, tags or coins (coin mechanism version) or through the practical selection buttons
- Alphanumeric display with 16 characters in 2 lines
- Rear cable exit
- Internal on/off switch
- Power supply: 230 V or 24 V

Possibility to choose between the EuroKey Next and the WorldKey cashless system to get different functionality options in the key/tag management and in the accounting data management



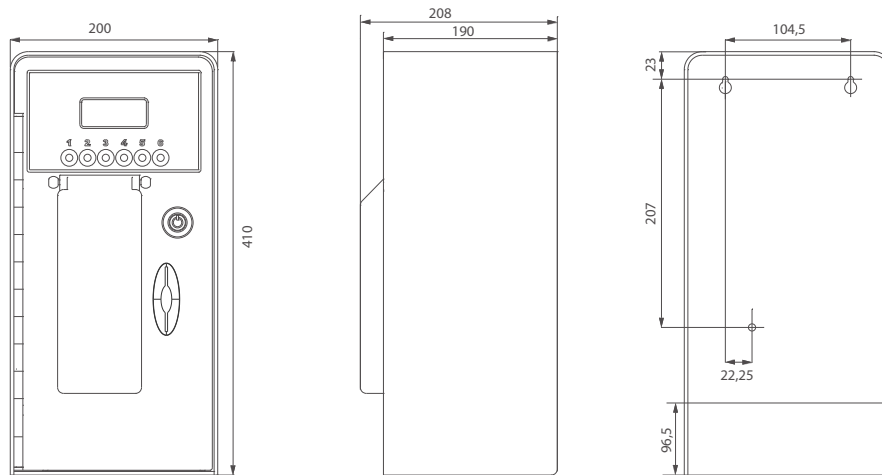
EurokeyNext



WorldKey system



# Technical Schematics



Note: Unit of measure: mm

## Tools

### UNICO configuration program

Software suite which includes programs for audit data collection and management (according to EVA-DTS standard or Windows Excel), operating parameter programming and key/card/tag management

### Card management software (code RFT-CARD-SW)

### Audit and log management software (code RFT-AUDIT-SW)

### Portable universal programmer

To program MyService directly on-field or to download audit data via infrared



### Programming Key and Clone Programming Key



### Audit key



## Functions

- Up to 6 timed services management and automation
- 3 safety codes management (administrator, renter, machine)
- Machine No. modifiable by the user
- Single cash sales or multiple cash sales\*
- Maximum value management
- Differentiated cards/keys/tags management
- Black list/white list/log file management\*
- Time slots management
- Bonus management
- Advanced promotional campaigns management
- On-field firmware updates
- Remote data management\*

(\* only with WorldKey cashless system)

## Optional accessories

- Customisable RFID keys/cards/tags/stickers by quantity
- Micro USB cable

## Technical specifications

Dimensions (LxHxD)	208 x 410 x 96.5 mm
Weight	8.5 Kg
Mounting	Wall-mount
Input voltage - Mains version - Low voltage	230 Vac ± 10% 12 ÷ 24 Vdc ± 10% or 12 ÷ 24 Vac ± 10%
Power consumption	40 W
Outputs	Relay, current-carrying capacity 4A at 230 Vdc

## Coin capacity

	0.5 €	1 €	2 €
Cash box	400	500	350

## Technical Specifications – keys/cards/tags

Technology used	Inductive transmission, data and energy ISO 14443 – MIFARE® encrypted
Transmission frequency	13,56 MHz

# MyScan

## Easy activation system

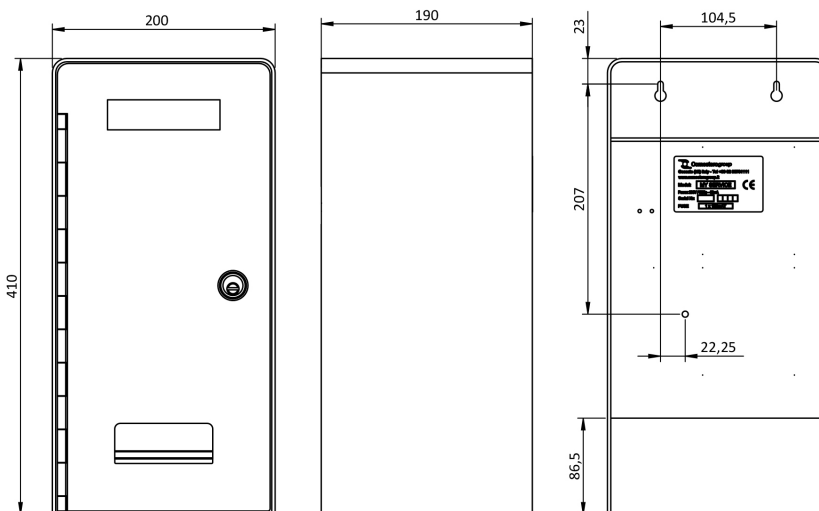
MyScan is the result of the combination between MyService and a 2D scanner. Based on MyService box, it automates the payment of several timed services, such as service areas, self-service laundries, sport and tourist facilities, public services and timed lighting, simply by scanning a QR Code ticket.

## Features

- Automatic service activation by scanning a QR-code ticket: printing tools can be the EasyPay unit (desktop solution) or the Touch PRO machine (unattended solution)
- Management and automation up to 8 services
- Accounting data management



## Technical Schematics



Note: Unit of measure: mm

## Technical specifications

Dimensions (LxHxD)	200 x 410 x 190 mm
Weight	8.5 Kg
Mounting	Wall-mount
Input voltage	230 Vac ± 10%
Power consumption	40 W
Outputs	Relay, current-carrying capacity 4A at 230 Vdc
Humidity (non condensed)	90%
Storage temperature	- 20° C ÷ 70° C



# MyPOS

## Simple bankcard payment solution

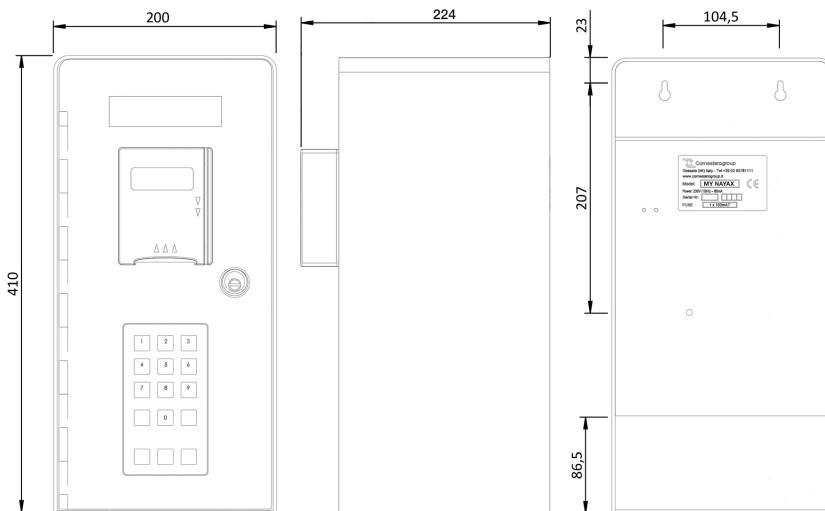
MyPOS is the result of the combination between MyService and a POS system. Based on MyService box, it automates the payment of several services, such as service areas, self-service laundries, sport and tourist facilities, public services and timed lighting, paying by bank card.

### Features

- Service activation by choosing a service number on the anti vandal keypad, and paying by bank card
- Compatible with most of the contactless bank card payment systems
- Management and automation up to 8 services
- Accounting data management



### Technical Schematics



Ingenico contactless reader IUC180



P68 reader

Note: Unit of measure: mm

### Technical specifications

Dimensions (LxHxD)	200 x 410 x 224 mm
Weight	8.5 Kg
Mounting	Wall-mount
Input voltage	230 Vac ± 10%
Power consumption	40 W
Outputs	Relay, current-carrying capacity 4A at 230 Vdc
Humidity (non condensed)	90%
Storage temperature	-20° C ÷ 70° C

# Dual Coin PRO

## Ideal solution for dispensing large amounts of coins/tokens

Its exceptional structural strength, the reinforced closing mechanisms and ccTalk protocol make it one of the most secure change machines on the market. The 32-bit CPU provides notable functions, such as importing/exporting configuration parameters, exporting accounting data and the useful function of machine cloning.



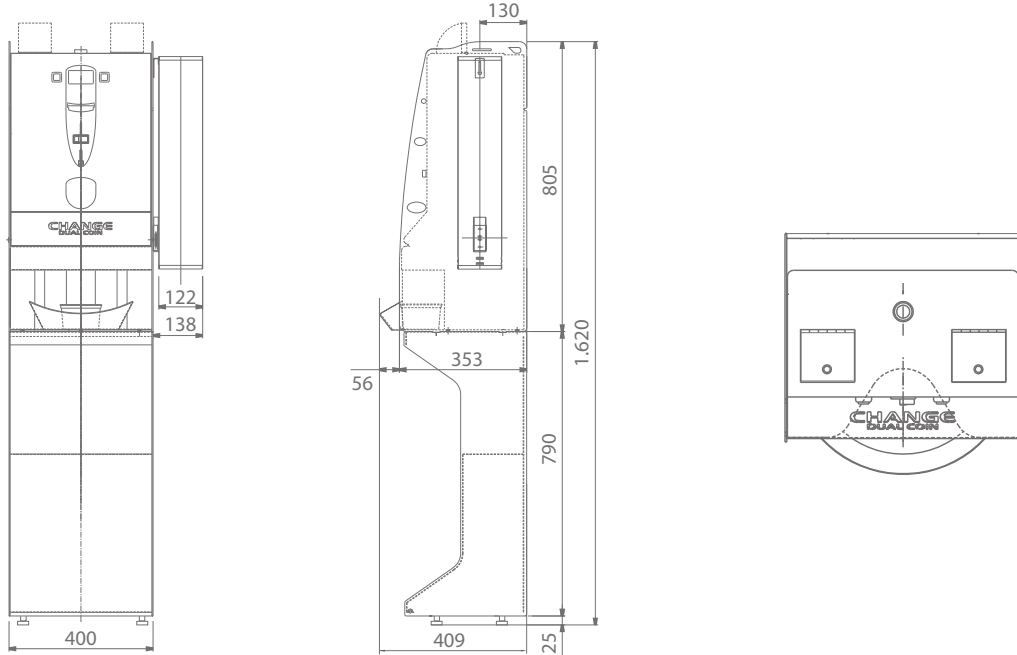
### Features

- Distribution of coins and token (bonus function for tokens)
- Coins/tokens dispensed automatically or manually
- Separate dispensing of coins and tokens (contained in different hoppers), using the appropriate button
- New 32-bit CPU with SD-Card: exporting of accounting data and importing of configuration parameters via SD-Card
- Machine cloning function
- Internal on/off controls to prevent tampering
- Pivoting door to facilitate dispenser-loading and cash box removal operations
- Additional doors to recharge the change machine (on the cover)
- LCD graphic display
- Installation: wall mounted through 3 anchoring bolts at the back side of the device, countertop, free standing

Dual Coin PRO can be equipped with the NV9 USB banknote reader with built-in stacker to hold up to 600 banknotes



## Technical Schematics



Note: Unit of measure: mm



### Tools

#### Multiconfig

Software to configure the change machine

#### Installed peripherals

- 2 Evolution hoppers with extensions
- NV9 USB/NV10 USB banknote reader

### Optional peripherals

- RM5 HD coin validator

### Optional accessories

- BRAIN remote control device
- Support base
- Reprogrammable lock
- Coin/token collection cups (max h 120 mm - Ø 145 mm)
- Cup dispensing tube
- Steel protective bars

### Technical specifications

Technical specifications	Change machine	Change machine with support base
Dimensions (LxHxW)	400 x 805 x 409 mm	400 x 1,620 x 409 mm
Weight	43 kg	60 kg
Power supply	230 Vac - 50 Hz	230 Vac - 50 Hz
Power consumption	60 W max	60 W max
Operating temperature	3°C ÷ 50 °C	3°C ÷ 50 °C

### Coin Capacity

Coin Capacity	0.5 €	1 €	2 €
2 Evolution hoppers with extensions	7,000	7,000	6,500
Cash box			4,600

# Easy Charge

## Recharging device for cards, keys and tags

Based on Mifare® radiofrequency transmission technology, it's suitable for any types of environment: shopping centres, gymnasiums, airports, train stations, game rooms, offices, snack bars and internet cafés, thanks to its compact size. The fixed structure, the enhanced locking systems and the strong safety lock make it resistant to break-in or tampering attempts. Equipped with a handy display which shows remaining credit on the support during the recharging operation.



Version with Galaxy reading head and note validator

## Features

- System including a CPU and a reading head connected with a “smart” coaxial cable (patent pending)
- Reading heads equipped with red light signal pursuant to EVA-CVS standard with 3 status LEDs and buzzer. Infrared interface for audit/log data and reader programming
- CPU equipped with USB and RS232 ports for firmware updates, system configuration, audit/log data collection and connection to PC
- Graphical 16-characters 2-lines display
- Inside on/off switch
- Different installation modes: on a wall (with optional Easy UP kit), on a table, on a wall with 3 dowels to be inserted at the back side of the appliance, on the floor with its support base (optional)

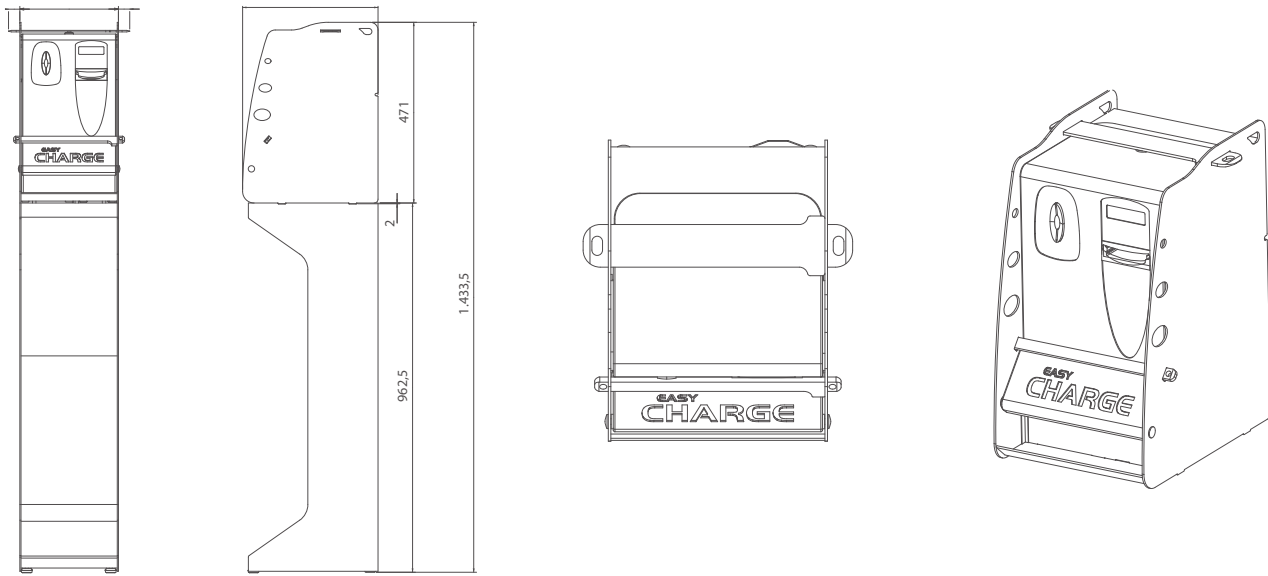
### Possibility to integrate the following peripherals:

- NV9 USB or NV10 USB note reader
- WorldKey system with Moon reading head (to accept keys/tags), Sky reading head (to accept keys/cards/tags), Galaxy reading head (to accept tap&go cards or keys/tags)
- EuroKey Next system (not compatible with POS and printer)
- RM5 HD coin validator – B version
- Thermal printer
- POS





# Technical Schematics



Note: Unit of measure: mm

## Functionality

- 3 safety codes (operator, renter, machine) management
- Maximum value management
- Maximum value accepted by banknote reader management
- Card/key/tag management
- Evolved bonus management
- Accounting data management
- Peripheral configuration management
- On-field firmware update
- Language management
- Audit data exporting (in different formats)
- Parallel management of coin validator

## Tools

### UNICO configuration program

### Card management software (code RFT-CARD-SW)

### Audit and log management software (code RFT-AUDIT-SW)

### Programming Key & Clone Programming Key

### Audit Key



## Optional accessories

- Customisable RFID cards, keys and tags
- USB cable for connecting the PC
- Support base
- Reprogrammable locks
- Easy UP installation kit
- Steel protective bars

## Technical specifications

Technical specifications	Easy Charge	Easy Charge with support base
Dimensions (LxHxD)	257 x 471 x 353 mm	257 x 1.435 x 353 mm
Weight	22,8 Kg	40,8 Kg
Supply voltage	230 Vac - 50 Hz	230 Vac - 50 Hz
Absorbed power	60 VA max	60 VA max
Operating temperature	0 ° ÷ 50 °C	0 ° ÷ 50 °C

## Coin capacity

Coin capacity	1 €
Cash Box	1,000

## Banknote capacity

Banknote capacity	5 €
NV9 USB	600
NV10 USB	400

# RM5 HD

Extreme reliability, remarkable acceptance speed and high versatility

5 different sensors and 10 recognition parameters to ensure a high level of recognition and discrimination of valid and counterfeit coins with an unprecedented speed of 6 coins per second (even of different values). Its innovative type of construction ensures strength and durability. The advanced electronic and mechanical anti-fraud systems guarantee excellent security in all installation modes.



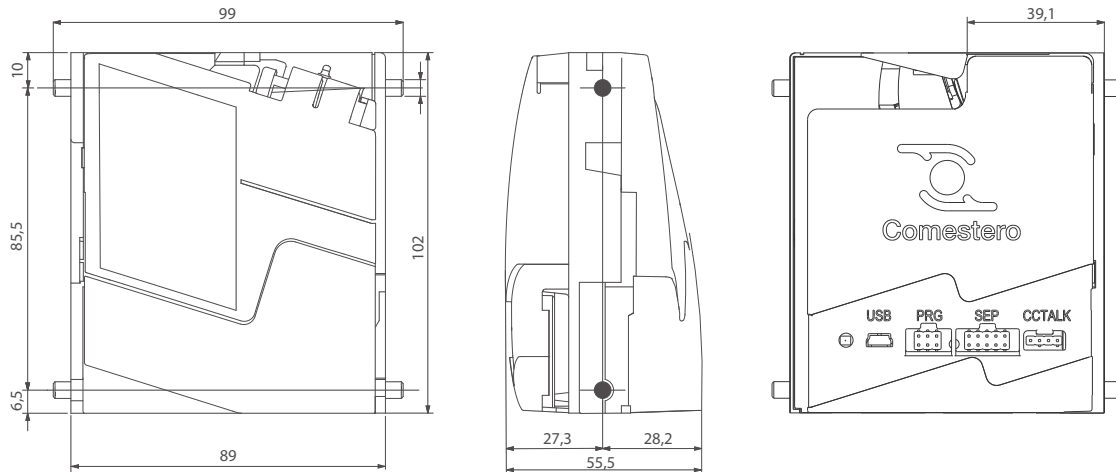
## Features

- HD high-discrimination system based on 10 different parameters regarding frequency, dimensions and phase
- 5-sensor identification technology: 3 inductive sensors, 1 optical sensor and 1 magnetic sensor
- High acceptance speed: 6 coins per second, even of different values
- Compatible with all coin sorters available on the market
- Advanced electronic and mechanical anti-fraud system: electronic antifishing device, coin movement direction detection, 3 mechanical traps and wire cutting blade
- Indicator LED
- Also available the USB version
- Also available in the tropicalised version to be used in environments affected by adverse weather conditions





## Technical Schematics



Note: Unit of measure: mm

## Tools

### MultiConfig

Configuration program to be downloaded at [suzohapp.com](http://suzohapp.com)



### Virtual Dip Switch

Device for on-field configuration operations



### PC Programming Kit

Includes coin validator support, test box, power supply, interface cable and MultiConfig software



## Mechanical configurations

Available in two versions, with a different acceptance channel:

- Version A, optimised for the euro, accepting coins with a diameter of up to 27 mm and a thickness of up to 2.4 mm
- Version B, accepting coins with a diameter of up to 31.5 mm and thickness of up to 3.2 mm

The versions are available in four models to meet different installation requirements.

Model	Coin entry	Coin reject
F	Top or front	Front
V	Top	Front
B	Top or front	Bottom / left
G	Top	Bottom / right

## Versions

- Parallel Validator
- Parallel Validator with sorter
- Spain mode validator
- Binary Validator
- Confida Binary Validator
- Credit pulse emission totaliser
- Credit pulse emission totaliser with sorter control
- ccTalk Giochi Italia
- ccTalk Full

## Optional accessories

- RM1000-ADATTA5 vertical adaptor for vending machines without coin recycler
- Validator Adaptor from 3½" to 5"
- Front plates: available in the versions mod. F1 (60x118 mm) - F6 (60x152 mm)
- Coin collection funnels of various heights: 9/16/25 mm
- RM5 HD PC Kit, including: coin validator support, test box, power supply, interface cable and the MultiConfig software
- Virtual Dip Switch
- Customisable label by quantity

## Technical Specifications

Dimensions (LxHxW)	99 x 102 x 55.5 mm
Weight	200 g
Power supply	12 ÷ 24 ( ±10%) Vdc
Current consumption	Stand by: max 70mA During acceptance: max 400mA
Operating temperature	0 °C ÷ 55 °C - 10% ÷ 75% humidity non-condensed (standard version) -25 °C ÷ 70 °C (tropicalised version)
Coins accepted	Ø 16 ÷ 27 mm; max thickness 2.4 mm (Standard) Ø 16 ÷ 31.5 mm; max thickness 3.4 mm (with acceptance channel: 4.5 mm)
Acceptance speed (without sorter)	Up to 6 coins per second
Acceptance rate	95% + first insertion 98% + second insertion
MTBF (Mean Time Between Failure)	at 25°C is around 170,000 hours

# RM5 Evolution

## The record-breaking coin validator

The RM5 Evolution coin validator is known for its undisputed quality and reliability. Its electronics combine extraordinary selectivity with extreme programming versatility: the Cloning system allows the transfer of the configuration parameters.



## Features

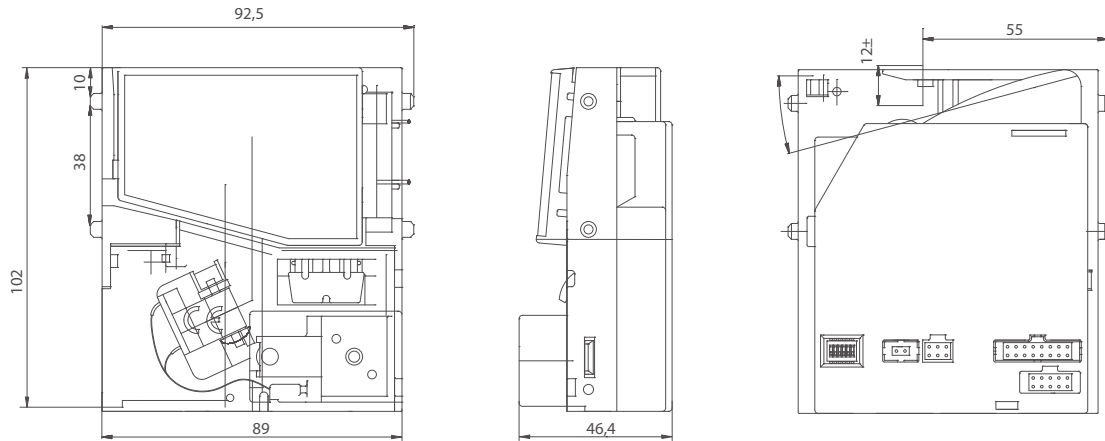
- 3 pairs of inductive sensors for processing 6 different parameters regarding the material and the mass
- 3 pairs of optical sensors for determining the coin's diameter
- A mechanical anti-fishing device
- An electronic anti-fishing device
- An electronic anti "intrusion" device (only for version F)
- Wire cutting blade
- Automatic optical sensor compensation system for variations in temperature, voltage and lighting
- Identification channels: up to 59, each of which can be redirected to the outlets. The first 6 support Self-Prog mode
- Open collection outlets
- Serial interface for external connections (portable programmer or PC) for calibrating and testing, as well as for updating the value and operating parameters tables
- Credit recognition: parallel, binary, pulse
- Also available in the tropicalised version to be used in environments affected by adverse weather conditions



Front plates: mod. F1 (60x118 mm)  
F3 (60x152 mm) - F6 (60x180 mm)

RM1000-ADATTA5 vertical adaptor for vending machines without coin recycler

## Technical Schematics



Note: Unit of measure: mm

## Tools

### Clone 5

Programming, configuration and diagnostics software (not to use with the ccTalk Giochi Italia version)



### Programmer

Portable tool for on-field programming, configuration and diagnostic operations (not to use with the ccTalk version)



## Versions

- 00 Parallel Validator
- 01 Parallel Validator with sorter
- E0 Spain mode validator
- AT Spain mode validator with differentiated time pulses
- B0 Binary Validator
- BC Confida Binary Validator
- 0M Multipulse validator
- 10 2 price totaliser
- 14 1 price totaliser with timed internal reset
- FD Fountain totaliser
- 20 Credit pulse emission totaliser
- 21 Credit pulse emission totaliser with sorter control
- 30 Progressive timer
- 3R Progressive timer with timed credit pulse emission upon request
- 3C Progressive timer with counter outlet
- 40 Totaliser with credit pulse upon request
- 60 Totaliser with timed credit pulse emission upon request
- 70 Single-price multiple sale totaliser

## Mechanical configurations

Model	Coin entry	Coin reject
G	Top	Bottom
F	Top or front	Front
B	Top or front	Bottom
V	Top	Front
M	Top or front	Bottom
S	Top	Bottom

## Optional accessories

- RM1000-ADATTA5 vertical adaptor for vending machines without coin recycler
- Validator Adaptor from 3½" to 5"
- Front plates: mod. F1 (60x118 mm) - F3 (60x180 mm) - F6 (60x152 mm)
- Special F6 front plate with lock
- Protection for the F6 front plate, to protect against break-in and fraud attempts
- Protection device to protect the RM5 against external agents, such as water or jets
- Coin collection funnels of various heights: 9/16/25 mm
- AGCAVO10P: standard cable to connect the coin validator to the host machine. Available lengths: from 15 to 250 cm
- RMPRINTERF5: cable to connect an RM5 Evolution to a PC in serial mode
- USB SERIAL: cable for converting a serial connection to a USB connection
- Programmer
- USB Kit
- MDB adapter
- Customisable label by quantity

## Technical specifications

Dimensions (LxHxW)	89 x 102 x 46,4 mm
Weight	185 g
Power supply	12 ÷ 24 Vdc ± 10%
Power consumption	4W at 12 Vdc
Current consumption	In stand-by: 35 mA max, 12 Vdc During identification: 50 mA max, 12 Vdc During acceptance: 340 mA max, 12 Vdc
Maximum current capacity	200 mA at 24 Vdc ±10% (from channel 1 to channel 4) 800 mA at 24 Vdc ±10% (from channel 5 to channel 6)
Operating temperature	0 °C ÷ 55 °C - 10 ÷ 75% humidity non-condensed (standard version) -25 °C ÷ 70 °C (tropicalised version)
Coins accepted	Ø 16 ÷ 31.5 – Thickness up to 3.3 mm
Recognisable coins	all euro coins from 1 c to 2 €
Acceptance speed	3 coins per second

# Currenza C<sup>2</sup>

## The first and only 6-tubes coin changer with PRP system

Currenza C<sup>2</sup>, with PRP (Payout Redundancy Protection) system, minimizes machine down time and assures high safety in every applications, making the vending machine more profitable and reliable. The 6-tubes cassette system and the 3 independent motors guarantee high reliability in payout and great configuration flexibility, the optical sensors ensures reliable operations independent of environmental conditions. Currenza C<sup>2</sup> has 2 user interfaces fulfilling individual requirements. Thanks to the optional Henri service module, programming and currency updates are easy and quick. Also available with telemetry system to have the full control of the machine. Possibility to send alarm text messages in real time and manage the digital remote data transmission.



### Features

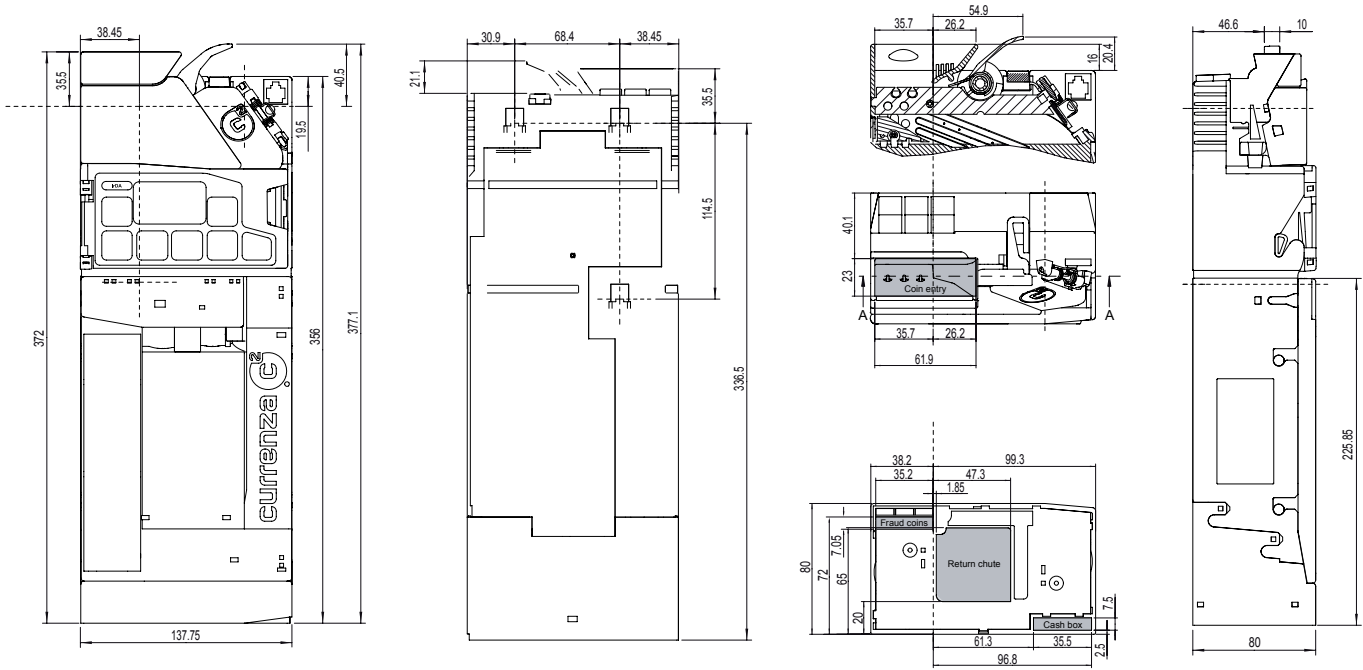
- Acceptance and payout of all circulation coins (also 0,01 €)
- 6 self-filling tubes reducing refilling needs and providing optimum set-up of payout configuration and float level. Easy access in case of maintenance
- Modular cassette structure for maximum freedom in tube configuration
- Payout combination optimization to meet each machine's planogram and track users payment behavior
- High payout speed: up to 6 coins per second. Acceptance speed: up to 3 coins/second
- MFT technology providing a more secure coin validation, sensor system to measuring up to 40 different parameters
- Easy and fast programming with user-friendly intuitive menu
- Henri Service module with updating slot and USB port for programming, configuration changing and firmware updating
- Audit Stick USB for easily collecting audit data, via IrDa or printer cable
- Telemetry system as optional: possibility to send alarm text messages in real time, control machine events, manage the digital remote data transmission, change the prices and set the machine under-stock
- Easy access to validation and sorting area for maintenance



#### PRP System (Payout Redundancy Protection)

6 tubes cassette and 3 independent motors for high payout safety and the minimization of down time

# Technical Schematics



Note: Unit of measure: mm

## Tools

### Audit manager

Free of charge management software with EVA-DTS / DEX-UCS file data retrieval including "Audit knop" function to freeze data until data retrieval is remotely completed

## Optional accessories

- Henri Service module
- Audit Stick USB
- Telemetry System

## Tubes capacity

Coins	Tube capacity
2 €	72
1 € - 0.50 €	69 - 67
0.20 €	75
0.10 € - 0.02 €	83 - 97
0.05 €	95
0.01 €	97

## Technical specifications

Dimensions (LxHxW)	137.75 x 377.10 x 80.00 mm
Power supply	BDV: 18V ÷ 43V DC MDB: 18V ÷ 43V DC Battery MDB: 11V ÷ 43V Executive version: 24V AC
Power consumption	- Stand-by mode: 2.5W max - Coin payout: 16.0V max - 48V max with 3 motors - Coin acceptance: 16.0V max
Operating temperature	-25°C ÷ +80°C

## Tubes combinations

Diameter (mm)	Tubes					
	A	B	C	D	E	F
29.0 - 32.5	•					
26.5 - 29.0	•		•			•
24.5 - 26.5	•		•		•	•
23.0 - 24.5	•	•	•	•	•	•
21.5 - 23.5	•	•	•	•	•	•
20.0 - 21.5		•	•	•	•	•
18.5 - 20.00		•	•	•	•	
17.0 - 18.5		•		•	•	
16.0 - 17.0		•		•	•	
15.0 - 16.0		•		•		

## Versions

**Blue** (EXE, MDB)  
with display and keys

**White** (MDB)  
without keys or display





# EuroKey Next

## The master key of the cashless payment systems for electromechanical equipment

EuroKey Next is the cashless device to manage the keys and media based on the Mifare® technology. The EuroKey range ensures high reliability in compliance with the WorldKey safety standards. Extremely flexible, it can manage both the MDB and EXE communication protocols. Also available in the PARALLEL version for applications in car wash stations, self-service laundrettes, tourist and sport facilities. EuroKey Next sets promotional campaigns and discounts, even based on time slots, to build customer loyalty and increase sales.



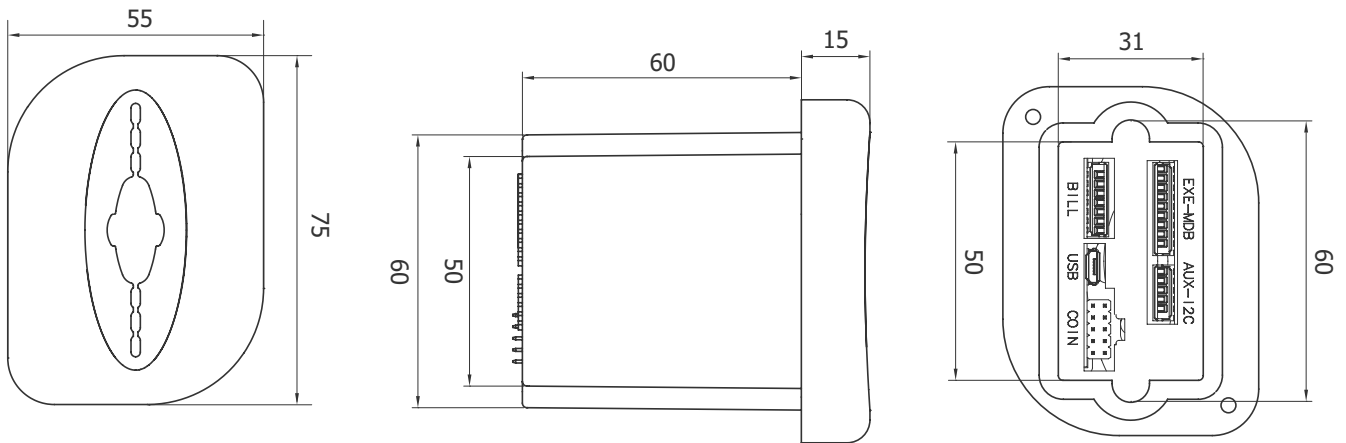
### Features

- Keys/cards/tags reader
- Equipped with red light signal with 3 status LEDs and infrared interface to collect audit data
- Maximum compatibility with EuroKey and WorldKey systems
- Possibility to manage EuroKey keys and Mifare® media
- Supported protocols:MDB, EXE
- Management of RM925, KPD, KPM input/output electronic boards and the 4-digit RM924 display
- Automatic key/card/tag activation
- Micro USB port for PC connection, firmware update, and audit data collection
- Configuration and accounting data management through the Unico software and IRDA interface
- Dual installation: front-panel and back-panel mounted by means of special adjustment plate



EuroKey Next is extremely flexible and can manage both the MDB and EXE communication protocols. Also available in the PARALLEL version for applications in car wash stations, self-service laundrettes, tourist and sport facilities

## Technical Schematics



Note: Unit of measure: mm

### Functionality

- 3 codes management (manager, renter, machine)
- Maximum value management
- Second MDB address (MDB mode) management
- 3 prices management (EXE mode)
- Direct coin validator and banknote reader management (EXE mode)
- Machine No. modifiable by the user
- Differentiated key management
- Black list management
- Bonus management
- Time slots management
- Accounting data management
- On-field firmware update

### Tools

#### UNICO configuration program

Software suite which includes programs for audit data collection and management (according to EVA-DTS standard or Windows Excel), operating parameter programming and key/card/tag management

#### Portable universal programmer (UHHT)

For on-field programming through micro USB cable connection

#### Programming Key & Clone Programming Key

#### Audit Key



### Versions

Compatible with the old Eurokey Plus Parallel versions: standard single-price and standard multi-price

### Optional accessories

- Portable universal programmer (UHHT)
- Customisable keys, cards and tags by quantity
- Complete installation starter kit
- Back panel mounting kit
- LCD Display
- Countertop recharging box



### Technical specifications - CPU

Dimensions (LxHxD)	55 x 75 x 77 mm
Weight	90 g
Power supply	18-40 Vdc 105mA 18-27 Vac 50/60 Hz 170 mA
Power consumption	3.2 W
Operating temperature	-10 °C ÷ +50 °C
Humidity (non condensed)	85%
Storage temperature	-10 °C ÷ +60 °C

### Technical Specifications – keys/cards/tags

Technology

### EuroKey keys

125 KHz Transponder


### Mifare® keys/cards/tags

13.56 MHz inductive transmission system, ISO 14443 data and energy – Mifare® encrypted

# WorldKey

## Private cashless payment system and powerful customer management tool

The WorldKey system uses the Mifare® (standard, Plus, DesFire, NFC) technology platform to ensure high safety standards and management of multiple applications. Security in transferring data is ensured by the combination of the proprietary encryption Mifare® and RFTech TDES (Triple Data Encryption Standard). Thanks to WorldKey, the operators can manage several sales or identification applications (access to multiple services also of different operators), storing them on a single RFID support (card/key/tag/sticker). The applications can be used within a single infrastructure or extended to different businesses, either visibly or hidden. WorldKey supports the most used protocols (Executive, MDB, BDV) and is ready to integrate the Ethernet, RS485, CAN BUS, ccTalk and USB interfaces.

The reading device is available in 3 versions:

- Moon: only with key/tag insertion. Supplied with two different front panels: round and oval, ideal for retrofitting
- Sky: card insertion plus key/tag
- Galaxy: with card in tap & go mode plus key/tag insertion



## Features

- System including one CPU unit and a reading device connected by a “smart” coaxial cable (patent pending)
- CPU equipped with micro USB port for connecting a PC or for piloting an external device or the Universal hand-held programming device
- Reading devices equipped with: semaphore signals according to the EVA-CVS standard with 3 status LEDs (red, yellow, green) and buzzer. Infrared interface to collect audit/log data and program the readers
- Supported vending protocols: Executive master/slave, MDB master/slave and BDV master/slave
- Automatic activation of cards/keys/tags upon first insertion
- Possibility of connection with WiFi module for audit data

## Functions

- Different prices management
- Sales prices (80x3 cashless prices + 80 cash prices)
- Single cash sales or multiple cash sales
- 3 security codes management (operator, rental, machine)
- Machine No. modifiable by the user
- Maximum value management
- Differentiated key management
- Black list/white list/log file management
- Time slots management
- Bonus management
- Accounting data management
- On-field firmware updating
- Remote management via Ethernet
- USB on the go
- CAN BUS connector
- RS485 connector
- Parallel banknote reader management
- Parallel coin validator management

## Versions

- EXE/EXE also in BDV
- EXE/MDB also in BDV
- MDB/MDB
- MDB/SLAVE

## Tools

### UNICO configuration program

Software suite which includes programs for audit data collection and management (according to EVA-DTS standard or Windows Excel), operating parameter programming and key/card/tag management

### Software for card management (code RFT-CARD-SW)

### Software for audit and log management (code RFT-AUDIT-SW)

### Universal hand-held programming device

For on-field programming through micro USB cable connection

### Programming Key & Clone Programming Key

### Audit Key



## Optional accessories

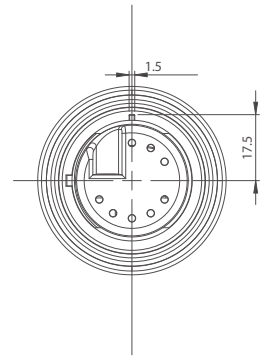
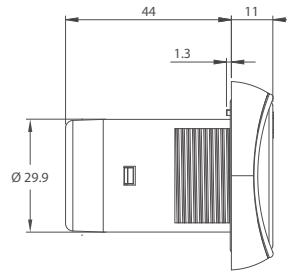
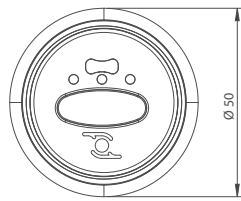
- Customisable RFID keys/tags/cards/stickers by quantity
- Credit Box for transferring credits
- LCD display
- Printer
- Countertop recharging box





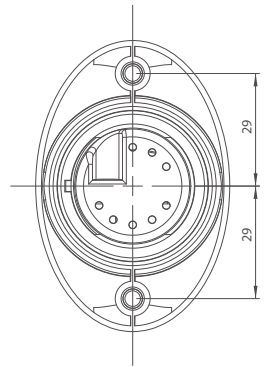
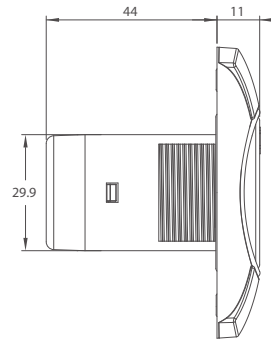
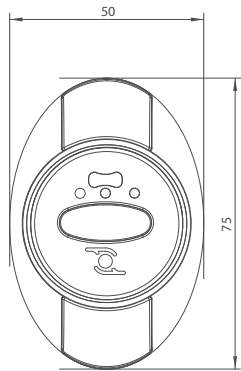
**Moon**

Reading device for keys and tags  
Round front plate



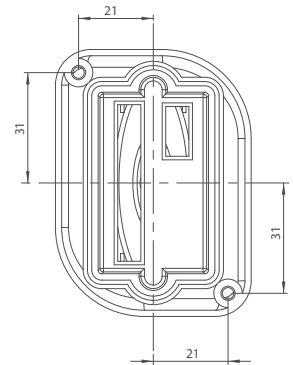
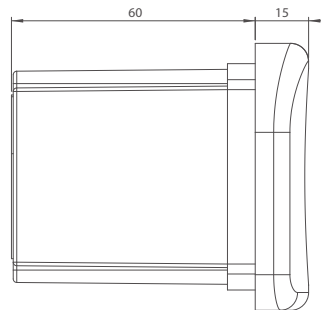
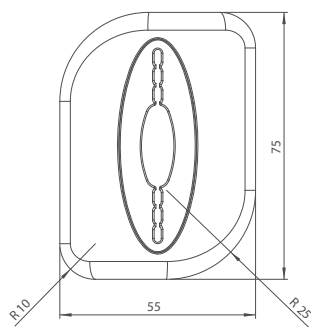
**Moon**

Reading device for keys and tags  
Oval front plate



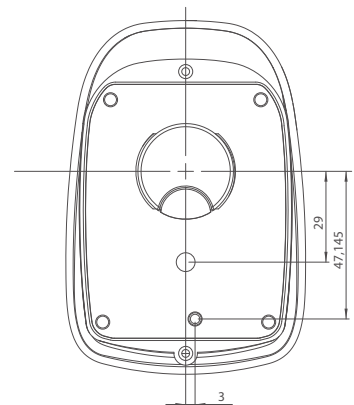
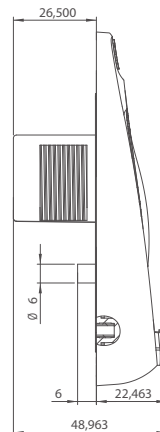
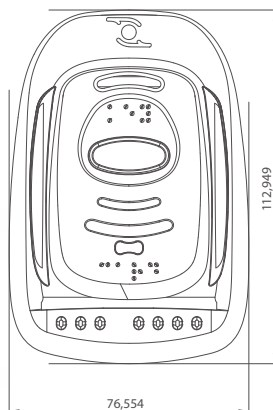
**Sky**

Reading device for keys, tags  
and insertion cards



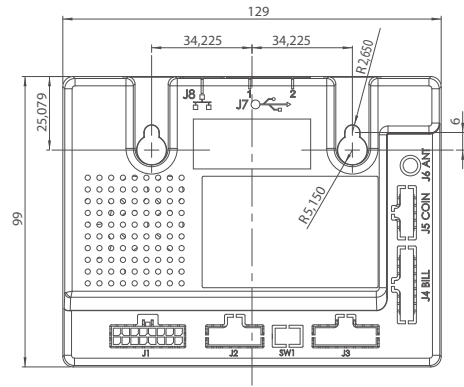
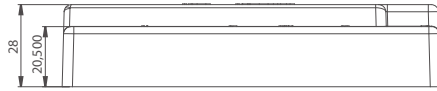
**Galaxy**

Universal reading device  
for keys, tags and tap & go cards





WorldKey  
CPU



## Payment supports



Customisable **Keys** by quantity



Customisable **Cards** by quantity



Wide range of **Tags** available in different shapes and colours

## Technical Specifications - CPU

Dimensions (LxHxW)	129 x 99 x 28 mm
Weight	200 g
Power supply	15-40 Vdc - 12-27 Vac (50-60 Hz)
Power consumption	3.75W without peripherals
Operating temperature	-20 °C ÷ 50 °C
Humidity (non-condensed)	90%
Storage temperature	-20 °C ÷ 70 °C



Customisable **Stickers** by quantity



**Happy:** new customisable tags by quantity

## Technical Specifications - reading devices

	Moon (Round front plate)	Moon (Oval front plate)	Sky	Galaxy
Dimensions (LxHxW)	50 x 50 x 55 mm	50 x 75 x 55 mm	55 x 75 x 75 mm	77 x 113 x 50 mm
Weight	45 g	45 g	60 g	90 g
Operating temperature	-20 °C ÷ 50 °C	-20 °C ÷ 50 °C	-20 °C ÷ 50 °C	-20 °C ÷ 50 °C
Humidity (non-condensed)	90%	90%	90%	90%
Storage temperature	-20 °C ÷ 70 °C	-20 °C ÷ 70 °C	-20 °C ÷ 70 °C	-20 °C ÷ 70 °C

## Technical Specifications - keys/cards/tags

Technology used	ISO 14443 – MIFARE® encrypted data and energy induction transmission
Transmission frequency	13.56 MHz

# WorldKey accessories



## Easy Pay Recharging Unit

### Features

- Compact reading device for Mifare® cards
- Portable unit to simplify cashpoint operations and charge cards, keys and tags in an easy way
- Functionality:
  - Key/Card/Tag management
  - Recharge – Decrease user cards
  - Price table management
  - Recharge bonus management
  - Use of Programming/Audit keys
  - Use of Black - Access List
  - Possibility to print a barcode for the activation and payment of different services

### Tools

- UNICO configuration sistem

### Optional accessories

- Customisable cards, keys, tags and stickers

### Versions

- Mobile: portable version with rechargeable battery
- Mobile QR: portable version with rechargeable battery and barcode function
- Combi: desktop version

### Technical specifications

Dimensions (LxHxW)	216 x 86 x 95 mm
Weight	525 g
Power consumption	40 VA
Power supply	8.2V DC
Operating temperature	-5 °C ÷ 50 °C
Humidity (non-condensed)	90%
Storage temperature	-20 °C ÷ 80 °C



## Recharging box

### Features

Compact recharging device for Mifare® cards, keys and tags. Equipped with display and selection buttons, it displays the available credit on each medium and performs 2 types of operations:

- Decrease an amount
- Load an amount or double amount

The box is entirely produced in high-impact polystyrene (HIPS), a very pliable and sturdy thermoplastic material.

### Technical specifications

Dimensions (LxHxP)	210 x 150 x 110 mm
Weight	600 g
Power supply	12 Vdc 0.5mA
Operating temperature	-10° C ÷ +50° C
Humidity (not condensed)	85%
Storage Temperature	-10° C ÷ +60° C





Copyright 2017  
**SUZHOPP**  
All rights reserved

No part of this catalogue may be reproduced in any form by print, photoprint  
or any other means, without written permission from the publisher.  
Technical data, text and pictures are subject to error and modifications.  
The catalogue can be subject to further developments.

